

*It is high performance and low cost PTFE membrane filter !*

## 特長 Features

- Filter high filtration accuracy that uses PTFE membrane that has an even hole diameter. It can get the long life and stable performance because of combination with sub filter medium.
- A strengthening material reaches strong acid / strong alkali, because it is made of polypropylene and able to use for many organic solvents.
- You can use these products immediately, without any pre-treatment, because all the products have been manufactured by a continuous process under our stringent quality control. Before leaving our factory they are fully these to insure optimal performance. Naturally, these products are manufactured in complete clean room.



## 仕様 Specifications

TFRシリーズ		TFR Series		005	010	020	045	100	300
ろ過精度(μm)		Filtering Rating(μm)		a.0.05	a.0.1	a.0.2	a.0.45	a.1.0	a.3.0
材質	Material	Main-filter medium		PTFE			PTFE		
		Sub-filter medium		ポリプロピレン			Polypropylene		
		Molding quality of the material		ポリプロピレン			Polypropylene		
寸法	Dimension	全長	Length	10inch / 20inch / 30inch					
		外径	Outer Diameter	70mm					
		内径	Inner Diameter	25mm					
耐熱		Heat Resistant Temperature		80°C					
耐圧		Allowable Pressure		0.29MPa					

a→absolute

## 型式 Model No.

**X T F R**            **1**  **1**

精度表示 Rating Indication	
記入 Entry	精度 Rating
005	abs.0.05μm
010	abs.0.1μm
020	abs.0.2μm
045	abs.0.45μm
100	abs.1.0μm
300	abs.3.0μm

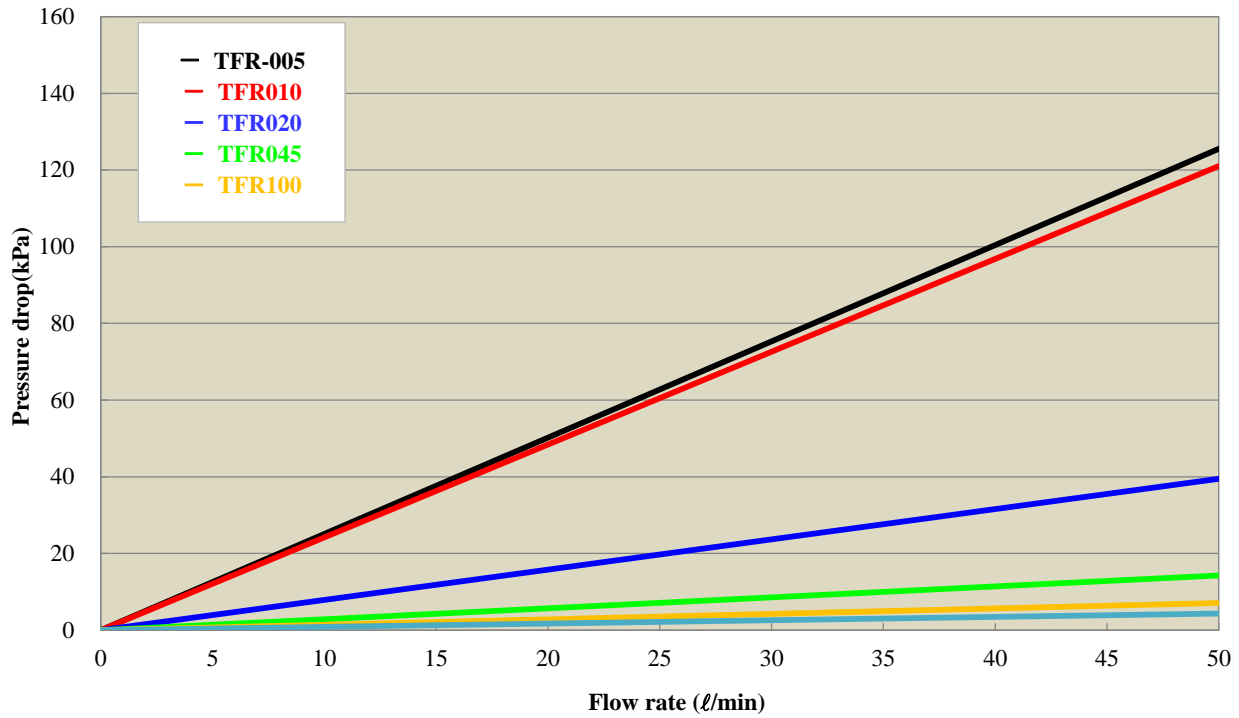
長さ表示 Length	
記入 Entry	長さ Length
1	10inch
2	20inch
3	30inch

シール形状 Shape of seal	
記入 Entry	形状 Shape
F	Flat DOE
M	222 O-ring SOE
T	226 O-ring SOE, FinO

ガスケット/Oリング材質 Material of gaskets/O-ring		
記入 Entry	材質 Material	
N	NBR	NBR
S	シリコン	SILICONE
E	EPR	EPR
V	FPM	FPM
R	ソフトPTFE (ガスケットのみ)	Soft PTFE (Only the gasket)
T	PTFE (ガスケットのみ)	PTFE (Only the gasket)
F	PFAカプセル (リングのみ)	PFA capsule (Only the O-ring)

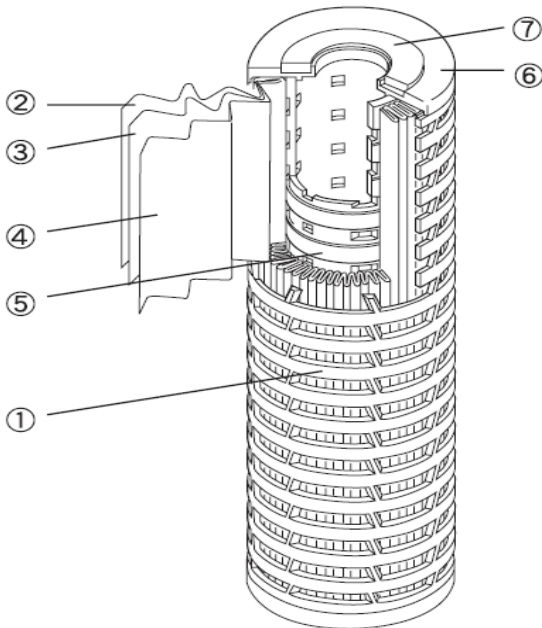
DOE ; 上下開放型 Top and bottom part opening style  
 SOE ; 下部開放型 Lower part opening style  
 FinO ; フィン付 With a fin

## 流量－圧力損失 Flow rate - Pressure drop



※ Fluid: Purified water (20°C)  
Filter length: 250mm

## 構成 Structure



- |   |       |       |          |
|---|-------|-------|----------|
| ① | 外筒    | ..... | ポリプロピレン  |
| ② | サブろ材  | ..... | ポリプロピレン  |
| ③ | メインろ材 | ..... | PTFE     |
| ④ | サブろ材  | ..... | ポリプロピレン  |
| ⑤ | 内筒    | ..... | ポリプロピレン  |
| ⑥ | プレート  | ..... | ポリプロピレン  |
| ⑦ | ガスケット | ..... | EPR (標準) |
- ※ ガスケット(O-リング)は、前頁のガスケット/O-リング材質より選定できます。

- |   |                    |       |                |
|---|--------------------|-------|----------------|
| ① | outer tube         | ..... | polypropylene  |
| ② | sub-filter medium  | ..... | polypropylene  |
| ③ | main-filter medium | ..... | PTFE           |
| ④ | sub-filter medium  | ..... | polypropylene  |
| ⑤ | inner tube         | ..... | polypropylene  |
| ⑥ | plate              | ..... | polypropylene  |
| ⑦ | gasket             | ..... | EPR (standard) |
- ※ An gasket(O-ring) can be chosen from Material quality of gaskets/O-ring on reverse page.