

**YAMASHIN
EXCEL**

MRP

Series

Low-cost, high-quality filter that made of all polypropylene

特長 Features

- All materials being used in this filter is completely made of polypropylene. A wide range of uses due to strong acid alkali and excellent resistance to many organic solvents.
- You can be assorted of worry-free use. Because these filters are manufactured by our continuous process with strict quality control.
- No elusion occurs, due to the use of no binder, nonwoven fabric. Furthermore, neither flaking nor desorption occurs due to the use of long fiber.



仕様 Specifications

MRP Series		MRP Series		010	030	050	100	200	400
ろ過精度		Filtering Rating(μm)		1.0	3.0	5.0	10	20	40
材質	Material	Main-filter medium		ポリプロピレン			Polypropylene		
		Sub-filter medium		ポリプロピレン			Polypropylene		
		Molding quality of the material		ポリプロピレン			Polypropylene		
寸法	Dimension	全長	Length	10inch / 20inch / 30inch					
		外径	Outer Diameter	70mm					
		内径	Inner Diameter	25mm					
耐熱		Heat Resistant Temperature		80°C					
耐圧		Allowable Pressure		0.49MPa					

型式 Model No.

XMRP **1** **0**

精度表示 Rating Indication	
記入 Entry	精度 Rating
010	1.0μm
030	3.0μm
050	5.0μm
100	10μm
200	20μm
400	40μm

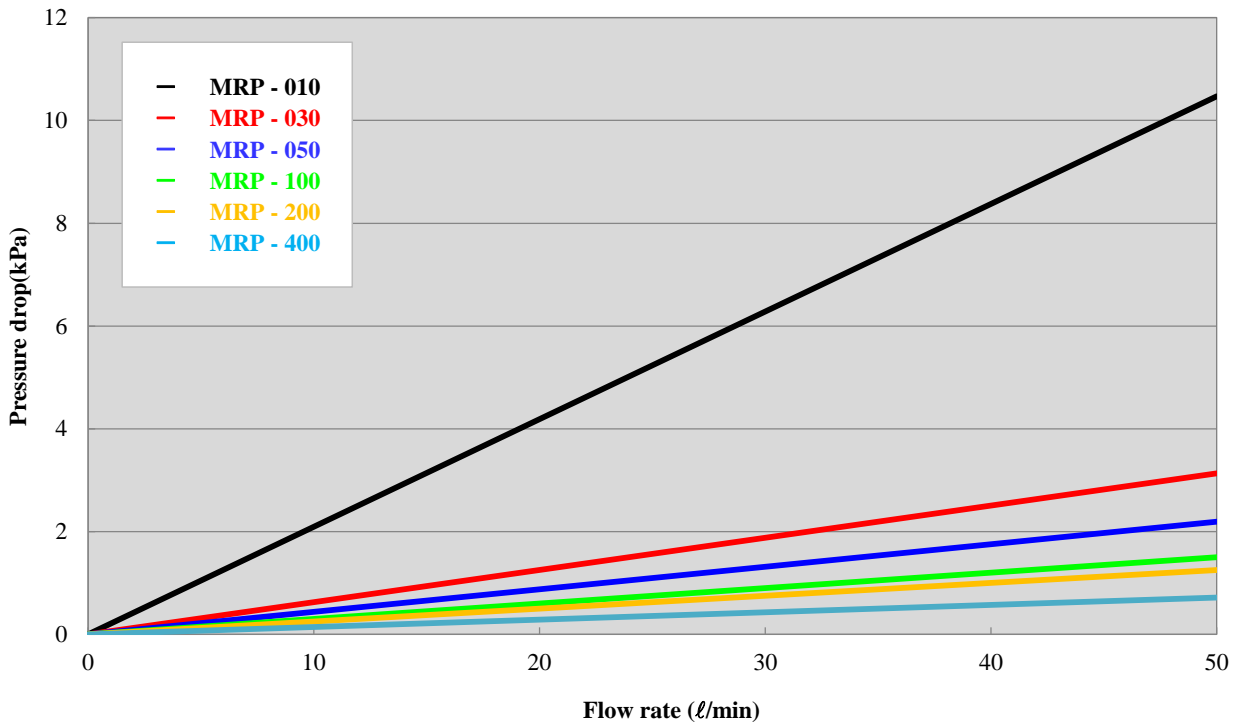
長さ表示 Length	
記入 Entry	長さ Length
1	10inch
2	20inch
3	30inch

シール形状 Shape of seal	
記入 Entry	形状 Shape
F	Flat DOE
M	222 O-ring SOE
T	226 O-ring SOE, FinO

ガスケット/O-リング材質 Material of gaskets/O-ring		
記入 Entry	材質 Material	
	N	NBR
S	シリコン	SILICONE
E	EPR	EPR
V	FPM	FPM
R	ソフトPTFE (ガスケットのみ)	Soft PTFE (Only the gasket)
T	PTFE (ガスケットのみ)	PTFE (Only the gasket)
F	PFAカプセル (リングのみ)	PFA capsule (Only the O-ring)

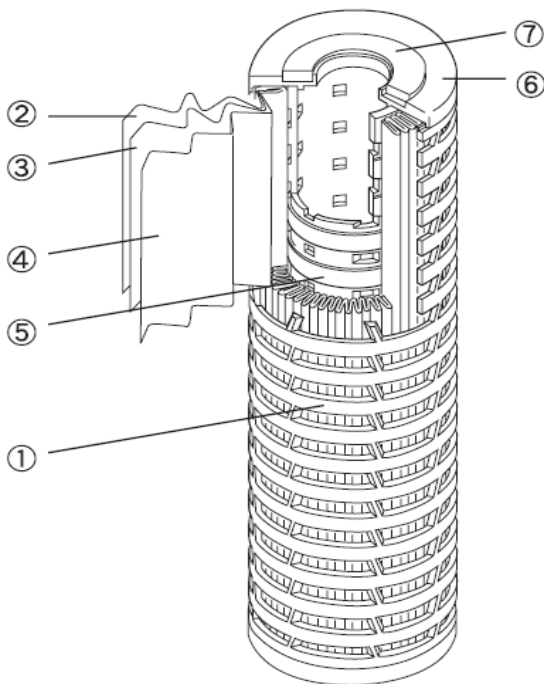
DOE ; 上下開放型 Top and bottom part opening style
 SOE ; 下部開放型 Lower part opening style
 FinO ; フィン付 With a fin

流量－圧力損失 Flow rate - Pressure drop



※ Fluid: Purified water (20°C)
Filter length: 250mm

構成 Structure



- | | | | |
|---|-------|-------|----------|
| ① | 外筒 | | ポリプロピレン |
| ② | サブろ材 | | ポリプロピレン |
| ③ | メインろ材 | | ポリプロピレン |
| ④ | サブろ材 | | ポリプロピレン |
| ⑤ | 内筒 | | ポリプロピレン |
| ⑥ | プレート | | ポリプロピレン |
| ⑦ | ガスケット | | EPR (標準) |
- ※ ガスケット(O-リング)は、前頁のガスケット/O-リング材質より選定できます。

- | | | | |
|---|--------------------|-------|----------------|
| ① | outer tube | | polypropylene |
| ② | sub-filter medium | | polypropylene |
| ③ | main-filter medium | | polypropylene |
| ④ | sub-filter medium | | polypropylene |
| ⑤ | inner tube | | polypropylene |
| ⑥ | plate | | polypropylene |
| ⑦ | gasket | | EPR (standard) |
- ※ An gasket(O-ring) can be chosen from Material quality of gaskets/O-ring on reverse page.